

ZERMA

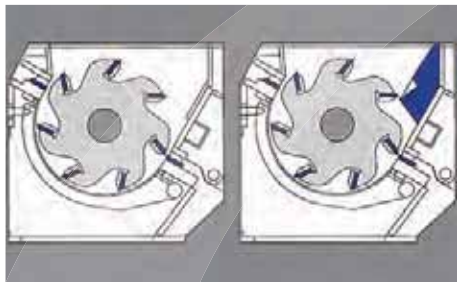
THE HOME OF SIZE REDUCTION

Shredders // **Granulators** // Pulverizers // Attachments

GSL // GSE // GSC // **GSH** // GSP // ZHM

GSH 350-500

HEAVY DUTY GRANULATOR



The easily removable deflector wedge acts as a third stator blade and can be used to adjust the aggressiveness of the rotor at the first cutting point.



The GSH granulators are available with different rotor options to fit different applications, all rotors feature the V-cut technology creating a high quality regrind.



The heavy duty bearings are separated from the cutting chamber to avoid lubricants entering the cutting chamber and bearing failure due to material contamination in the bearings.

GENERAL DESCRIPTION

The heavy duty granulators of the GSH 350 and 500 series offer a wide array of different rotor designs with widths ranging from 500 mm to 1000 mm with a diameter of 350 and 500 mm respectively. The completely welded heavy steel construction is designed to withstand the most demanding and universal applications. Rotor bearings, knife mounts and rotor shaft are oversized. The standard V-cut creates a high quality regrind with a very low percentage of fines in the output material. The removable third stator blade is acting as a deflector wedge and allows the machine to be quickly adjusted to different application scenarios. Other standard features include easily replaceable wear plates in the cutting chamber as well as outboard bearings reducing the risk of contamination.

APPLICATIONS

The wide range of rotors and hopper styles allow the GSH machines to be tailored to almost every application in the plastic recycling field. The GSH 350 and 500 granulators are mainly used as central granulators for in house recycling applications to process thick walled parts in one step or as a second step granulator after a shredder to reach higher throughput rates.

For abrasive, contaminated or highly filled materials the machines can be equipped with special wear protections, such as hard facing of the rotor and housing and key parts manufactured from highly wear resistant steels.

ADVANTAGES

- **Knives are adjusted outside of the machine**
- **Specially developed deflector wedge**
- **Wide choice of rotors**
- **Well thought out housing design**
- **Strong Welded Steel construction**
- **Oversized outboard bearings**

ENGLISH

PLASTIC SIZE REDUCTION
RUBBER SIZE REDUCTION
WOOD SIZE REDUCTION
E-WASTE SIZE REDUCTION



ZERMA

GSH HEAVY DUTY GRANULATOR



PLASTIC
SIZE
REDUCTION

WOOD
SIZE
REDUCTION

E-WASTE
SIZE
REDUCTION

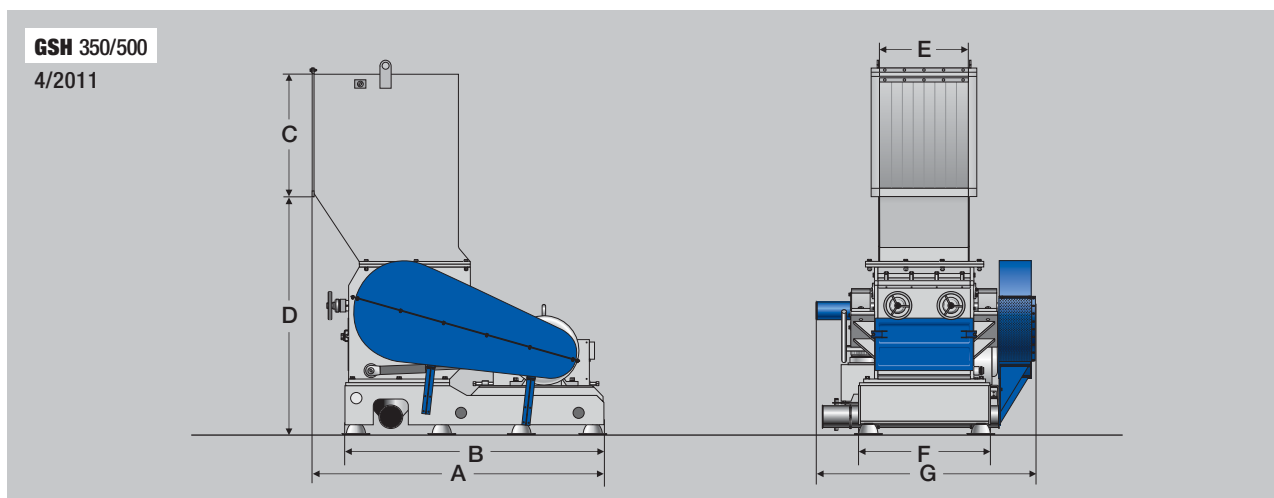
ZERMA. THE
HOME OF SIZE
REDUCTION



SPECIFICATIONS

Type GSH	350/500	500/600	500/1000
Rotor diameter (mm)	350	500	500
Rotor width (mm)	500	600	1000
Drive capacity (kW)	22	55	75
Rotor knives (rows)	3 or 5	3 or 5	3 or 5
Stator blades (rows)	2 or 3	2 or 3	2 or 3
Screen size (mm)	>6	>6	>6
Effective working area (mm)	460 x 516	636 x 590	985 x 590
<hr/>			
A (mm)	1820	2105	2255
B (mm)	1600	1850	2000
C (mm)	740	800	900
D (mm)	1650	1765	1840
E (mm)	520	635	985
F (mm)	775	945	1350
G (mm)	1280	1560	1945

DIMENSIONS



Subject to technical modification



AMIS MASCHINEN-VERTRIEBS GMBH
IM ROHRBUSCH 15 | 74939 ZUZENHAUSEN | GERMANY
PHONE: +49 (0)6226-7890-0 | FAX: +49 (0)6226-7890-222
E-MAIL: INFO@AMIS.DE

ZERMA EUROPE
AMIS MASCHINEN-VERTRIEBS GMBH

WWW.AMIS.DE