

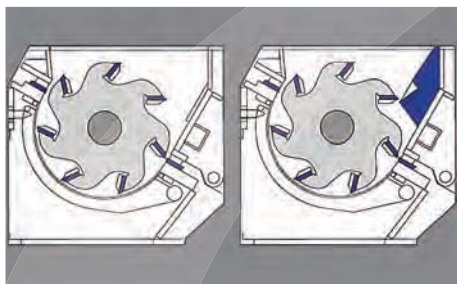
ZERMA

THE HOME OF SIZE REDUCTION

Shredders // **Granulators** // Pulverizers // Attachments

GSL // GSE // GSC // **GSH** // GSP // ZHM

GSH 350-500 HEAVY DUTY GRANULATOR



The easily removable deflector wedge acts as a third stator blade and can be used to adjust the aggressiveness of the rotor at the first cutting point.



The GSH granulators are available with different rotor options to fit different applications, all rotors feature the V-cut technology creating a high quality regrind.



The heavy duty bearings are separated from the cutting chamber to avoid lubricants entering the cutting chamber and bearing failure due to material contamination in the bearings.

GENERAL DESCRIPTION

The heavy duty granulators of the GSH 350 and 500 series offer a wide array of different rotor designs with widths ranging from 500 mm to 1000 mm with a diameter of 350 and 500 mm respectively. The completely welded heavy steel construction is designed to withstand the most demanding and universal applications. Rotor bearings, knife mounts and rotor shaft are oversized. The standard V-cut creates a high quality regrind with a very low percentage of fines in the output material. The removable third stator blade is acting as a deflector wedge and allows the machine to be quickly adjusted to different application scenarios. Other standard features include easily replaceable wear plates in the cutting chamber as well as outboard bearings reducing the risk of contamination.

APPLICATIONS

The wide range of rotors and hopper styles allow the GSH machines to be tailored to almost every application in the plastic recycling field. The GSH 350 and 500 granulators are mainly used as central granulators for in house recycling applications to process thick walled parts in one step or as a second step granulator after a shredder to reach higher throughput rates.

For abrasive, contaminated or highly filled materials the machines can be equipped with special wear protections, such as hard facing of the rotor and housing and key parts manufactured from highly wear resistant steels.

ADVANTAGES

- **Knives are adjusted outside of the machine**
- **Specially developed deflector wedge**
- **Wide choice of rotors**
- **Well thought out housing design**
- **Strong Welded Steel construction**
- **Oversized outboard bearings**

ENGLISH

PLASTIC SIZE REDUCTION
RUBBER SIZE REDUCTION
WOOD SIZE REDUCTION
E-WASTE SIZE REDUCTION



GSH HEAVY DUTY GRANULATOR



PLASTIC
SIZE
REDUCTION

WOOD
SIZE
REDUCTION

E-WASTE
SIZE
REDUCTION

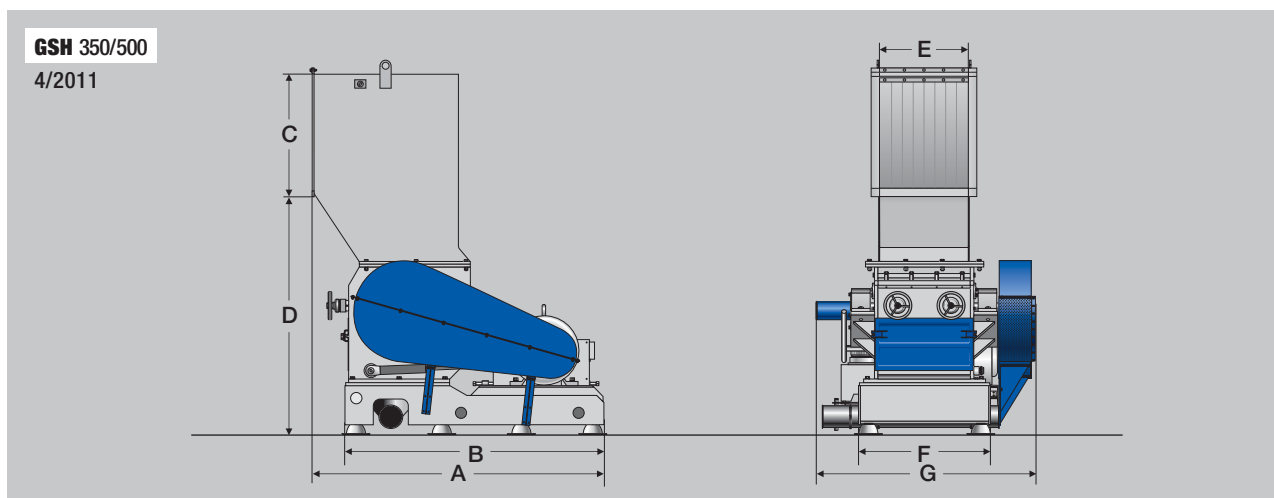
ZERMA. THE
HOME OF SIZE
REDUCTION



SPECIFICATIONS

Type GSH	350/500	500/600	500/1000
Rotor diameter (mm)	350	500	500
Rotor width (mm)	500	600	1000
Drive capacity (kW)	22	55	75
Rotor knives (rows)	3 or 5	3 or 5	3 or 5
Stator blades (rows)	2 or 3	2 or 3	2 or 3
Screen size (mm)	>6	>6	>6
Effective working area (mm)	460 x 516	636 x 590	985 x 590
<hr/>			
A (mm)	1820	2105	2255
B (mm)	1600	1850	2000
C (mm)	740	800	900
D (mm)	1650	1765	1840
E (mm)	520	635	985
F (mm)	775	945	1350
G (mm)	1280	1560	1945

DIMENSIONS



Subject to technical modification



AMIS MASCHINEN-VERTRIEBS GMBH
 IM ROHRBUSCH 15 | 74939 ZUZENHAUSEN | GERMANY
 PHONE: +49 (0)6226-7890-0 | FAX: +49 (0)6226-7890-222
 E-MAIL: INFO@AMIS.DE

ZERMA EUROPE
AMIS MASCHINEN-VERTRIEBS GMBH

WWW.AMIS.DE

ZERMA

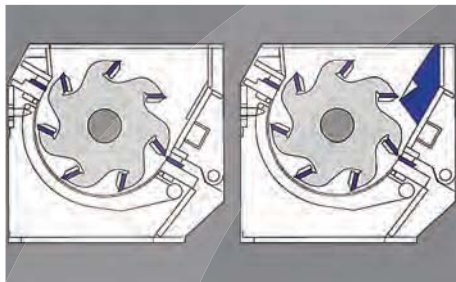
THE HOME OF SIZE REDUCTION

Shredders // **Granulators** // Pulverizers // Attachments

GSL // GSE // GSC // **GSH** // GSP // ZHM

GSH 600-700

HEAVY DUTY GRANULATOR



The easily removable deflector wedge acts as a third stator blade and can be used to adjust the aggressiveness of the rotor at the first cutting point.



The GSH granulators are available with different rotor options to fit different applications, all rotors feature the V-cut technology creating a high quality regrind.



The heavy duty bearings are separated from the cutting chamber to avoid lubricants entering the cutting chamber and bearing failure due to material contamination in the bearings.

GENERAL DESCRIPTION

The heavy duty granulators of the GSH 600 and 700 series offer a wide array of different rotor designs with widths ranging from 800 mm to 1000 mm with a diameter of 600 and 700 mm. The completely welded heavy steel construction is designed to withstand the most demanding and universal applications. Rotor bearings, knife mounts and rotor shaft are oversized. The standard V-cut creates a high quality regrind with a very low percentage of fines in the output material. The removable third stator blade is acting as a deflector wedge and allows the machine to be quickly adjusted to different application scenarios. Other standard features include easily replaceable wear plates in the cutting chamber as well as outboard bearings reducing the risk of contamination.

APPLICATIONS

The wide range of rotors and hopper styles allow the GSH machines to be tailored to almost every application in the plastic recycling field. The GSH 600 and 700 granulators are mainly used as large central granulators for in house recycling applications to process large thick walled parts in one step or as a second step granulator after a shredder to reach higher throughput rates.

For abrasive, contaminated or highly filled materials the machines can be equipped with special wear protections, such as hard facing of the rotor and housing and key parts manufactured from highly wear resistant steels.

ADVANTAGES

- **Knives are adjusted outside of the machine**
- **Specially developed deflector wedge**
- **Wide choice of rotors**
- **Well thought out housing design**
- **Strong Welded Steel construction**
- **Oversized outboard bearings**

ENGLISH

PLASTIC SIZE REDUCTION
RUBBER SIZE REDUCTION
WOOD SIZE REDUCTION
E-WASTE SIZE REDUCTION



ZERMA

GSH HEAVY DUTY GRANULATOR



PLASTIC
SIZE
REDUCTION

RUBBER
SIZE
REDUCTION

WOOD
SIZE
REDUCTION

E-WASTE
SIZE
REDUCTION

ZERMA. THE
HOME OF SIZE
REDUCTION

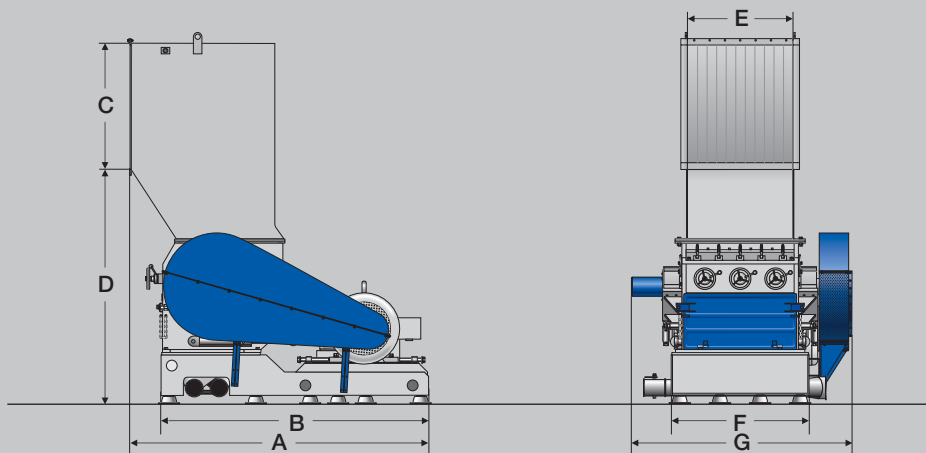


SPECIFICATIONS

Type GSH	600/800	700/1000
Rotor diameter (mm)	600	700
Rotor width (mm)	800	1000
Drive capacity (kW)	75	90
Rotor knives (rows)	5 or 7	5 or 7 or 9
Stator blades (rows)	2 or 3	2 or 3
Screen size (mm)	>6	>8
Effective working area (mm)	790 x 695	900 x 800
A (mm)	2350	2815
B (mm)	2100	2500
C (mm)	1000	1100
D (mm)	1940	2250
E (mm)	788	985
F (mm)	1125	1290
G (mm)	1840	2060

DIMENSIONS

GSH 600/700
4/2011



ZERMA

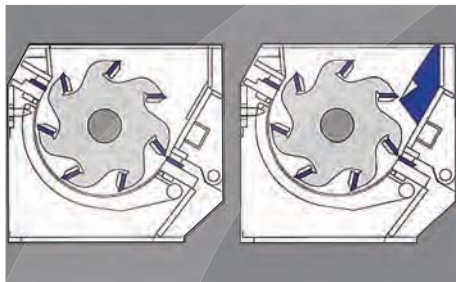
THE HOME OF SIZE REDUCTION

Shredders // **Granulators** // Pulverizers // Attachments

GSL // GSE // GSC // **GSH** // GSP // ZHM

GSH 800

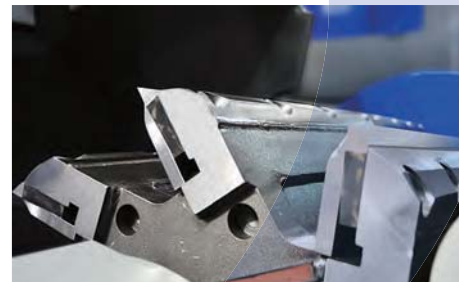
HEAVY DUTY GRANULATOR



The easily removable deflector wedge acts as a third stator blade and can be used to adjust the aggressiveness of the rotor at the first cutting point.



The GSH granulators are available with different rotor options to fit different applications, all rotors feature the V-cut technology creating a high quality regrind.



For abrasive applications the GSH granulators can be equipped with rotors with key parts manufactured from highly wear resistant steel as well as weld on hard facing.

GENERAL DESCRIPTION

The heavy duty granulators of the GSH 800 series offer a wide array of different rotor designs with widths ranging from 1200 mm to 2000 mm with a diameter of 800 mm. The completely welded heavy steel construction is designed to withstand the most demanding and universal applications. Rotor bearings, knife mounts and rotor shaft are oversized. The standard V-cut creates a high quality regrind with a very low percentage of fines in the output material. The removable third stator blade is acting as a deflector wedge and allows the machine to be quickly adjusted to different application scenarios. Other standard features include easily replaceable wear plates in the cutting chamber as well as outboard bearings reducing the risk of contamination.

APPLICATIONS

The wide range of rotors and hopper styles allow the GSH machines to be tailored to almost every application in the plastic recycling field, mainly with high throughput requirements. The GSH 800 series can be used to grind large thick walled parts down to a granule in one step, or be used as a second step granulator after a ZXS shredder to reach very high throughput rates.

For abrasive, contaminated or highly filled materials the machines can be equipped with special wear protections, such as hard facing of the rotor and housing and key parts manufactured from highly wear resistant steels.

ADVANTAGES

- **Knives are adjusted outside of the machine**
- **Specially developed deflector wedge**
- **Wide choice of rotors**
- **Well thought out housing design**
- **Strong Welded Steel construction**
- **Oversized outboard bearings**

ENGLISH

PLASTIC SIZE REDUCTION
RUBBER SIZE REDUCTION
WOOD SIZE REDUCTION
E-WASTE SIZE REDUCTION



ZERMA

GSH HEAVY DUTY GRANULATOR



PLASTIC
SIZE
REDUCTION

RUBBER
SIZE
REDUCTION

WOOD
SIZE
REDUCTION

E-WASTE
SIZE
REDUCTION

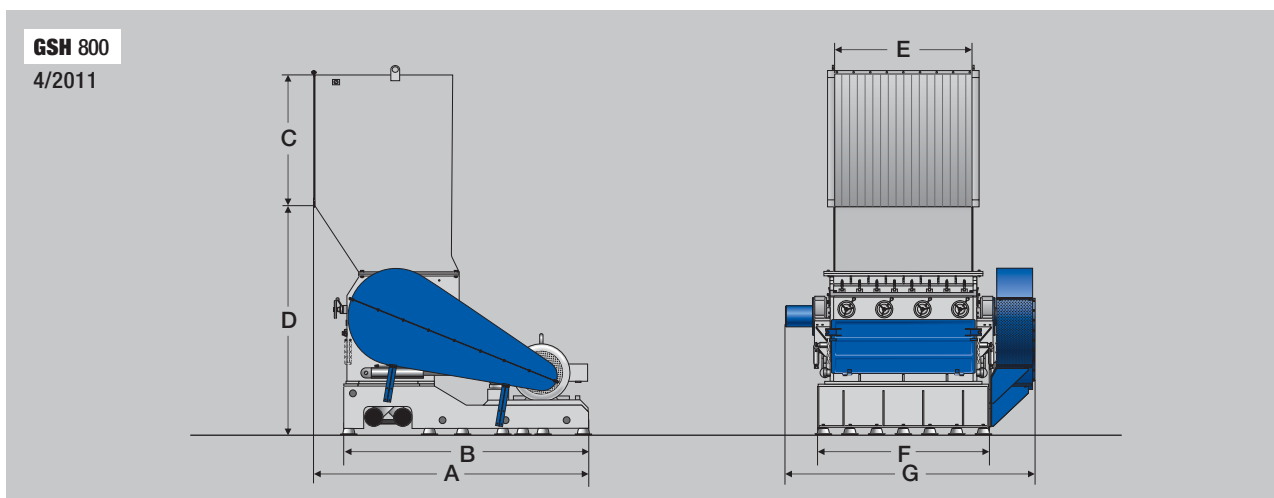
ZERMA. THE
HOME OF SIZE
REDUCTION



SPECIFICATIONS

Type GSH	800/1200	800/1600	800/2000
Rotor diameter (mm)	800	800	800
Rotor width (mm)	1200	1600	2000
Drive capacity (kW)	132	160	2 x 160
Rotor knives (rows)	5 or 7 or 9	5 or 7 or 9	7 or 9
Stator blades (rows)	2 or 3	2 or 3	2 or 3
Screen size (mm)	>8	>8	>8
Effective working area (mm)	1150 x 915	1570 x 915	1960 x 915
A (mm)	3100	3175	2755
B (mm)	2800	2800	2600
C (mm)	1200	1400	1600
D (mm)	2570	2685	3055
E (mm)	1150	1570	1965
F (mm)	1535	1970	2250
G (mm)	2430	2860	3465

DIMENSIONS



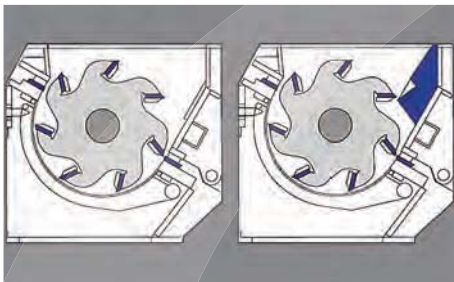
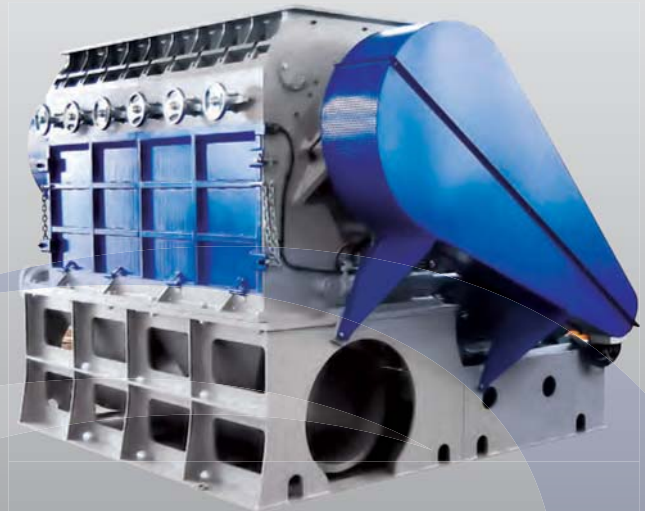
ZERMA

THE HOME OF SIZE REDUCTION

Shredders // **Granulators** // Pulverizers // Attachments

GSL // GSE // GSC // **GSH** // GSP // ZHM

GSH 1100 HEAVY DUTY GRANULATOR



The easily removable deflector wedge acts as a third stator blade and can be used to adjust the aggressiveness of the rotor at the first cutting point.



The granulators can be tailored to fit various applications, for example with oversized suction troughs in order to achieve a very high output.



The GSH 1100 series comes standard with wide H-style rotors available with 9, 11 or 13 rows of rotor blades ensuring a high quality output.

GENERAL DESCRIPTION

The heavy duty granulators of the GSH 1100 series offer a different rotor configurations with widths ranging from 1200 mm to 2400 mm with a diameter of 1100 mm. The completely welded heavy steel construction is designed to withstand the most demanding and universal applications. Rotor bearings, knife mounts and rotor shaft are oversized. The standard V-cut creates a high quality regrind with a very low percentage of fines in the output material. The removable third stator blade is acting as a deflector wedge and allows the machine to be quickly adjusted to different application scenarios. Other standard features include easily replaceable wear plates in the cutting chamber as well as outboard bearings reducing the risk of contamination.

APPLICATIONS

The GSH 1100 series of heavy duty granulators is a dependable machine engineered for demanding high throughput applications. The GSH 1100 series can be used to grind large thick walled parts down to a granule in one step, or be used as a second step granulator after a ZXS shredder to reach very high throughput rates. The large diameter rotors are available with a choice of 9, 11 or 13 rows of rotor knives. The V-cut design ensures a high quality granule with a low percentage of fines. For abrasive, contaminated or highly filled materials the machines can be equipped with special wear protections, such as hard facing of the rotor and housing and key parts manufactured from highly wear resistant steels.

ADVANTAGES

- **Knives are adjusted outside of the machine**
- **Specially developed deflector wedge**
- **Wide choice of rotors**
- **Well thought out housing design**
- **Strong Welded Steel construction**
- **Oversized outboard bearings**

ENGLISH

PLASTIC SIZE REDUCTION
RUBBER SIZE REDUCTION
WOOD SIZE REDUCTION
E-WASTE SIZE REDUCTION



ZERMA

GSH HEAVY DUTY GRANULATOR



PLASTIC
SIZE
REDUCTION

RUBBER
SIZE
REDUCTION

WOOD
SIZE
REDUCTION

E-WASTE
SIZE
REDUCTION

ZERMA. THE
HOME OF SIZE
REDUCTION



SPECIFICATIONS

Type GSH	1100/1200	1100/2400
Rotor diameter (mm)	1100	1100
Rotor width (mm)	1200	2400
Drive capacity (kW)	200	2 x 200
Rotor knives (rows)	7 or 9 or 11	7 or 9 or 11
Stator blades (rows)	2 or 3	2 or 3
Screen size (mm)	>8	>8
Effective working area (mm)	1150 x 1210	1960 x 1210
A (mm)	3115	3060
B (mm)	2900	3000
C (mm)	1400	1400
D (mm)	3030	3030
E (mm)	1150	2330
F (mm)	1680	2760
G (mm)	2440	3830

DIMENSIONS

