

# ZERMA

## THE HOME OF SIZE REDUCTION

Shredders // **Granulators** // Pulverizers // Attachments

GSL // GSE // **GSC** // GSH // GSP // ZHM

### **GSC 300**

#### **COMPACT SOUNDPROOFED GRANULATOR**



Rotor and stator knives are pre-set outside the machine prior to installation in a supplied fixture. This makes awkward adjustment inside the machine unnecessary.



The GSC granulators are available with different rotor options to fit different applications, all rotors feature the V-cut technology creating a high quality regrind.



To minimize the needed floor space and make the machine easy to move, machine controls and electrical cabinet are integrated into the machines soundproof housing.

### **GENERAL DESCRIPTION**

The GSC compact/sound proof granulators are designed with a complete sound proof enclosure resulting in an extremely quiet operation. Different rotor designs are available in widths ranging from 300 mm to 1400 mm with a diameter of 300 mm. The completely welded cutting chamber in conjunction with the "V" type rotor design ensures dependability in operation and universal application use. While it delivers excellent sound proofing capabilities, it still offers easy and quick access to the cutting chamber during rotor and stator knife changes, servicing or screen changes. The sound dampening material used in these machines is based on the latest technological research.

### **APPLICATIONS**

The cutting geometry of the GSC series allows even voluminous materials to be ground. The complete GSC series line achieves a high quality regrind independent of the material type or form such as injection moulded parts, blow moulded parts, profiles, sheets, film, etc. The 300 series GSC machines are mainly used in inline operations for processing of rejected products, or runners and sprues. The small footprint and easy movability make the machines very easy to place in existing operations.

### **ADVANTAGES**

- **Knives are adjusted outside of the machine**
- **Compact design**
- **Different rotor types available**
- **Soundproofed housing**
- **Aggressive tangential infeed**

ENGLISH

PLASTIC SIZE REDUCTION  
RUBBER SIZE REDUCTION  
WOOD SIZE REDUCTION  
E-WASTE SIZE REDUCTION



# GSC COMPACT SOUND- PROOFED GRANULATOR



PLASTIC  
SIZE  
REDUCTION

WOOD  
SIZE  
REDUCTION

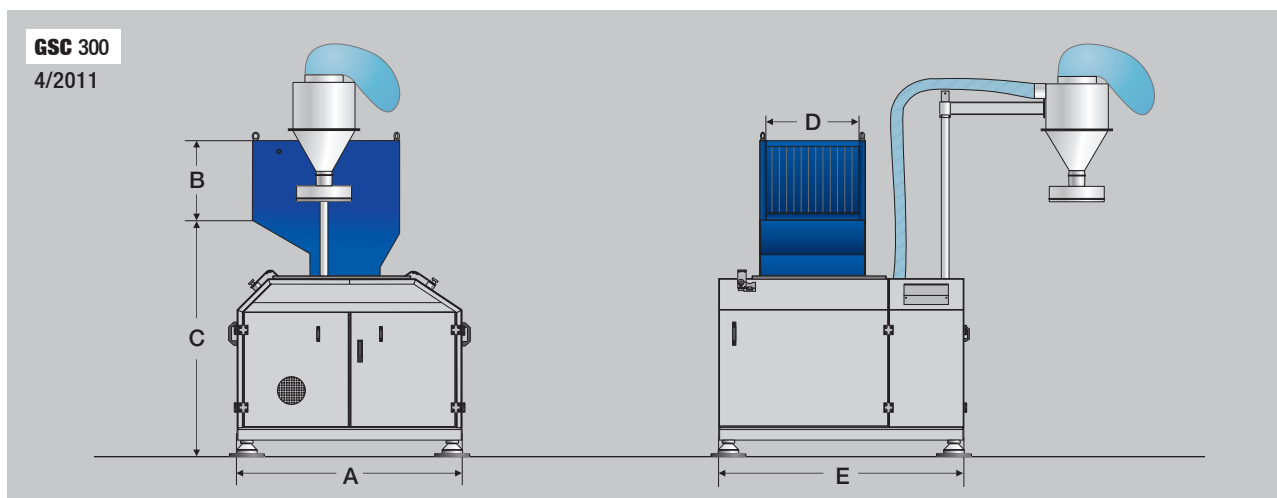
ZERMA. THE  
HOME OF SIZE  
REDUCTION



## SPECIFICATIONS

Type GSC	300/300	300/600	300/1000	300/1400
Rotor diameter (mm)	300	300	300	300
Rotor width (mm)	300	600	1000	1400
Drive capacity (kW)	7.5	11	18.5	22
Rotor knives (rows)	3	3	3	3
Stator blades (rows)	2	2	2	2
Screen size (mm)	>6	>6	>6	>6
Effective working area (mm)	400 x 290	400 x 590	400 x 990	400 x 1400
A (mm)	1550	1550	1550	1660
B (mm)	420	420	420	420
C (mm)	1570	1570	1570	1645
D (mm)	300	590	990	1400
E (mm)	1360	1680	1950	2220

## DIMENSIONS



# ZERMA

## THE HOME OF SIZE REDUCTION

Shredders // **Granulators** // Pulverizers // Attachments

GSL // GSE // **GSC** // GSH // GSP // ZHM



## GSC 500

### COMPACT SOUNDPROOFED GRANULATOR



Rotor and stator knives are pre-set outside the machine prior to installation in a supplied fixture. This makes awkward adjustment inside the machine unnecessary.



To ensure a safe operation and quick and easy access for cleaning and maintenance the GSC 500 machines cutting chamber is opened hydraulically.



To minimize the needed floor space and make the machine easy to move the control cabinet is integrated into the machines soundproof housing.

### GENERAL DESCRIPTION

The GSC compact/sound proof granulators are designed with a complete sound proof enclosure resulting in an extremely quiet operation. Different rotor designs are available in widths ranging from 500 mm to 1400 mm with a diameter of 500 mm. The completely welded cutting chamber in conjunction with the "V" type rotor design ensures dependability in operation and universal application use. While it delivers excellent sound proofing capabilities, it still offers easy and quick access to the cutting chamber during rotor and stator knife changes, servicing or screen changes. The sound dampening material used in these machines is based on the latest technological research.

### APPLICATIONS

The cutting geometry of the GSC series allows even voluminous materials to be ground. The complete GSC series line achieves a high quality regrind independent of the material type or form such as injection moulded parts, blow moulded parts, profiles, sheets, film, etc. The 500 series GSC machines are mainly used in inline operations or small central granulators for processing of medium sized hollow thin walled products, or runners and sprues. The integrated sound proofing makes it possible to easily place the machine in existing operations. With different rotor designs and a wide variety of options the machines can be tailored for many different applications.

### ADVANTAGES

- **Knives are adjusted outside of the machine**
- **Compact design**
- **Different rotor types available**
- **Soundproofed housing**
- **Aggressive tangential infeed**

ENGLISH

PLASTIC SIZE REDUCTION  
RUBBER SIZE REDUCTION  
WOOD SIZE REDUCTION  
E-WASTE SIZE REDUCTION



# GSC COMPACT SOUND- PROOFED GRANULATOR



PLASTIC  
SIZE  
REDUCTION

WOOD  
SIZE  
REDUCTION

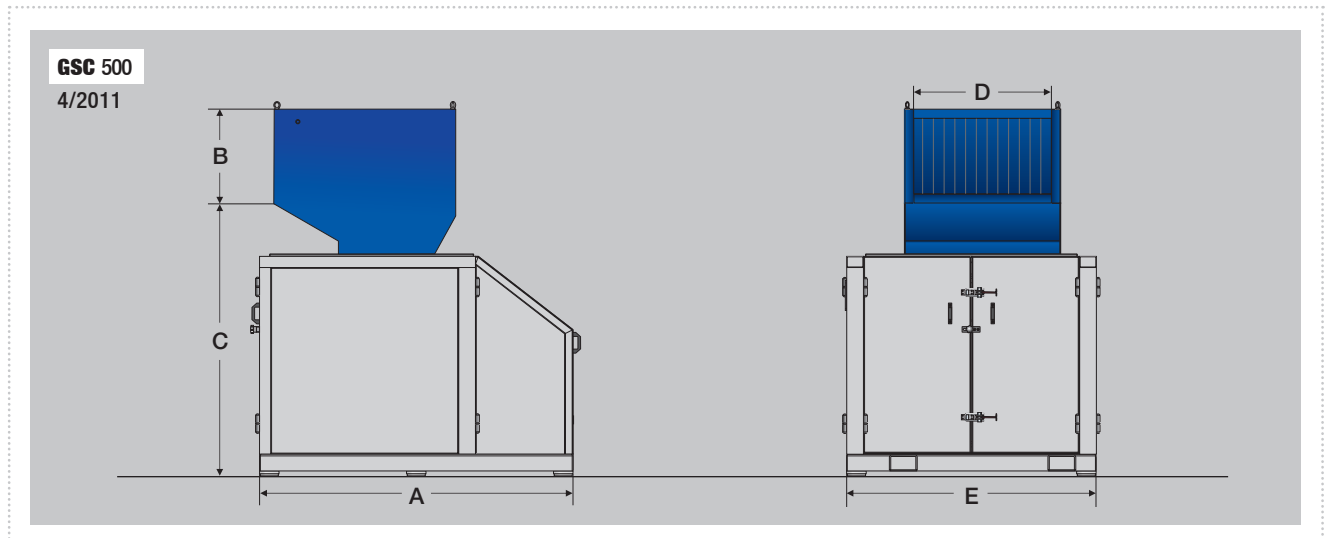
ZERMA. THE  
HOME OF SIZE  
REDUCTION



## SPECIFICATIONS

Type GSC	500/500	500/700	500/1000	500/1400
Rotor diameter (mm)	500	500	500	500
Rotor width (mm)	500	700	1000	1400
Drive capacity (kW)	30	37	45	45
Rotor knives (rows)	3 or 5	3 or 5	3 or 5	3 or 5
Stator blades (rows)	2	2	2	2
Screen size (mm)	>6	>6	>6	>6
Effective working area (mm)	560 x 500	560 x 700	560 x 990	560 x 1400
A (mm)	2010	2010	2410	2410
B (mm)	600	600	540	540
C (mm)	1795	1795	2025	2040
D (mm)	500	700	990	1400
E (mm)	1380	1580	1880	2210

## DIMENSIONS



# ZERMA

## THE HOME OF SIZE REDUCTION

Shredders // **Granulators** // Pulverizers // Attachments

GSL // GSE // **GSC** // GSH // GSP // ZHM

## GSC 700

### COMPACT SOUNDPROOFED GRANULATOR



Rotor and stator knives are pre-set outside the machine prior to installation in a supplied fixture. This makes awkward adjustment inside the machine unnecessary.



In order to keep the GSC series as compact as possible, motor and hydraulic opening system are integrated into the sound dampening enclosure of the machine.



The user friendly design of the GSC series granulators allows quick and easy access to the cutting chamber for maintenance and cleaning.

## GENERAL DESCRIPTION

The GSC compact/sound proof granulators are designed with a complete sound proof enclosure resulting in an extremely quiet operation. Different rotor designs are available in widths ranging from 700 mm to 1400 mm with a diameter of 700 mm. The completely welded cutting chamber in conjunction with the "V" type rotor design ensures dependability in operation and universal application use. While it delivers excellent sound proofing capabilities, it still offers easy and quick access to the cutting chamber during rotor and stator knife changes, servicing or screen changes. The sound dampening material used in these machines is based on the latest technological research.

## APPLICATIONS

The cutting geometry of the GSC series allows even voluminous materials to be ground. The complete GSC series line achieves a high quality regrind independent of the material type or form such as injection moulded parts, blow moulded parts, profiles, sheets, film, etc. The 700 series GSC machines are mainly used as central granulators for processing of large injected or blow moulded products as well as film. The integrated sound proofing makes it possible to easily place the machine in existing operations. With different rotor designs and a wide variety of options the machines can be tailored for many different applications.

## ADVANTAGES

- **Knives are adjusted outside of the machine**
- **Compact design**
- **Different rotor types available**
- **Soundproofed housing**
- **Aggressive tangential infeed**

ENGLISH

PLASTIC SIZE REDUCTION  
RUBBER SIZE REDUCTION  
WOOD SIZE REDUCTION  
E-WASTE SIZE REDUCTION



# GSC COMPACT SOUND- PROOFED GRANULATOR



PLASTIC  
SIZE  
REDUCTION

WOOD  
SIZE  
REDUCTION

ZERMA. THE  
HOME OF SIZE  
REDUCTION



## SPECIFICATIONS

Type GSC	700/700	700/1000	700/1400
Rotor diameter (mm)	500	700	700
Rotor width (mm)	700	1000	1400
Drive capacity (kW)	45	55	55
Rotor knives (rows)	5 or 7	5 or 7	5 or 7
Stator blades (rows)	2	2	2
Screen size (mm)	>6	>6	>6
Effective working area (mm)	720 x 700	720 x 990	720 x 1400
A (mm)	2560	2560	2560
B (mm)	740	740	740
C (mm)	2140	2140	2240
D (mm)	700	990	1400
E (mm)	1560	1850	2210

## DIMENSIONS

